



# Installation instructions for your new

# Spacemaker™ Laundry WSM2780 Gas

Before you begin – Read these instructions completely and carefully.

**IMPORTANT – OBSERVE ALL GOVERNING CODES AND ORDINANCES.**

Note to Installer – Be sure to leave these instructions with the Consumer.

Note to Consumer – Keep these instructions with your Owner's Manual for future reference.

## ⚠ WARNING – POTENTIAL FIRE AND SHOCK HAZARD

- Use only rigid metal or flexible metal 4" diameter ductwork inside the dryer cabinet or for exhausting to the outside. Use of plastic or other combustible ductwork can cause a fire. Foil or other easily punctured ductwork can cause a fire if it collapses or becomes restricted in use or during installation.
- This appliance must be properly grounded and installed as described in these instructions.

## IMPORTANT

- Exhausting the dryer to the outside is required to prevent large amounts of moisture, lint and other products of combustion from being blown into the room.
- Service information and a wiring diagram are located in the dryer access panel.

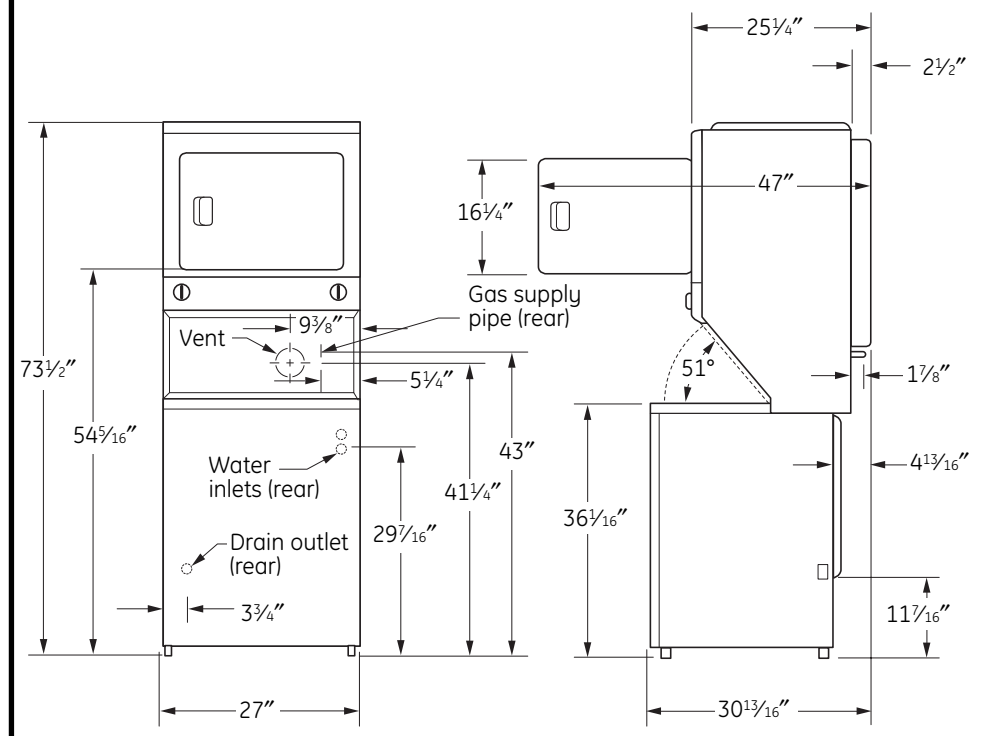
## TOOLS NEEDED

- Slip joint pliers
- Phillips-head and flat-blade screwdrivers
- Ratchet with 3/8" socket
- Carpenter's level
- Adjustable wrenches
- Pipe thread sealer

## CONTENTS

Installation Procedure	.....page 2
Plumbing Information	.....page 5
Electrical Information	.....page 5
Gas Information	.....page 6
Exhaust Information	.....page 6
Mobile Home Installation	.....page 7
Alcove or Closet Installation	.....page 7
Door Ventilation Opening	.....page 8
Miscellaneous Requirements	.....page 8

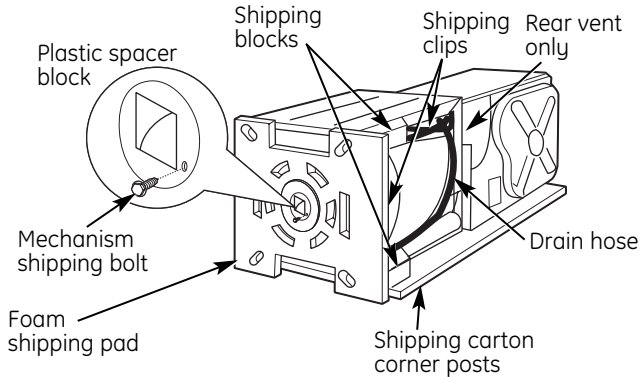
## PRODUCT DIMENSIONS



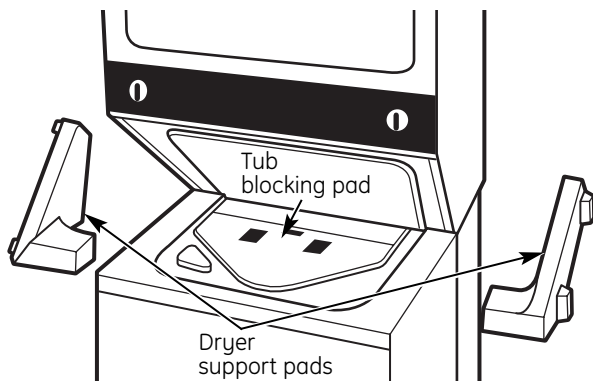
# Installation Instructions

## UNPACKING SPACEMAKER™

- 1 Remove tape and two corner pads from rear bottom corners of appliance.
- 2 Using the four shipping corner posts, lay the appliance on its left side so the shipping base does not rest on the floor.



- 3 Remove the foam shipping pad.
- 4 Remove the washer shipping bolt using the ratchet with 3/8" socket and remove the plastic spacer block using the slip joint pliers.
- 5 Return the appliance to the upright position and locate it in the general area to be installed. Provide enough space at the rear for installing the water inlet hose.
- 6 Untape and open washer lid.
- 7 Remove:
  - a. foam tub blocking pad
  - b. foam shipping blocks from rear of unit
  - c. tape from dryer door
  - d. foam dryer support pads
  - e. inlet hoses
  - f. From the back of the washer, remove the wire shipping clips securing the drain hose. Plastic clamps secure the drain hose to the right side of the washer backsheet. These clamps form a standpipe to prevent water siphoning. **DO NOT REMOVE THESE CLAMPS.**



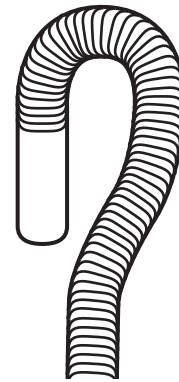
## UNPACKING SPACEMAKER™ (CONT.)

**NOTE:** The tub blocking pad, shipping bolt and plastic spacer should be retained for use if the appliance is transported at a later date.

- 8 Remove clips holding the following:
  - a. inlet hoses
  - b. drain hose
  - c. power cord

## PREPARING DRAIN HOSE

- 9 Form a "U" shape on the end of the drain hose with the hose pointed toward the drain.

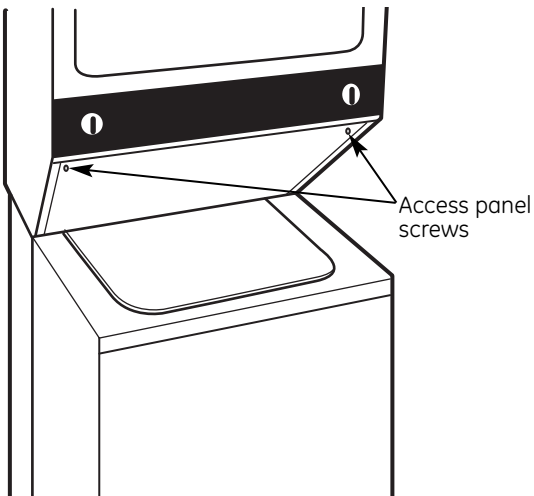


- 10 For an installation requiring a longer drain hose, use the WH41X312 extra-long (108") drain hose. Attach to the machine in the same manner as the original hose.

# Installation Instructions

## MOVING SPACEMAKER™ TO OPERATING LOCATION

- 11** Remove the 2 screws securing the access panel to the dryer cabinet. Lift the front access panel until the tabs can be disengaged from the dryer cabinet and remove the panel.
- 11A** Route the inlet hoses, drain hose and power cord through the rear access area for temporary holding when moving the appliance to the operating location.



- 12** To ensure the Laundry Center is level and solid on all four legs, tilt the Laundry Center forward so the rear legs are off the floor. Gently set the Laundry Center back down to allow the rear legs to self adjust. Place a level on top of the washer. Check it side to side, then front to back. Screw the front leveling legs up or down to ensure the Laundry Center is resting solid on all four legs (no rocking of the Laundry Center should exist).

**NOTE:** Keep the leg extension at a minimum to prevent excessive vibration.

## CONNECTING TO PLUMBING FACILITIES

**CAUTION:** Be sure water supply lines have been thoroughly flushed to remove particles that might clog the washer filter screens.

- 13** Check inlet hoses to insure the rubber washers are installed in each end. (If your laundry center has the hoses attached to the water valve, proceed to Step 13A.) Carefully connect the inlet hoses to the water valve (on the left side of the washer cabinet), tighten by hand, then tighten another 2/3 turn with pliers.

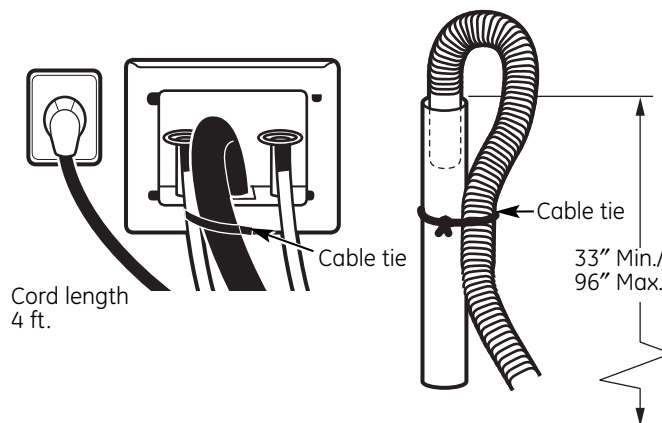
**CAUTION: DO NOT CROSS THREAD OR OVERTIGHTEN THESE CONNECTIONS.**

- 13A** Determine which water faucet is the **HOT** water faucet and carefully connect the bottom inlet hose to the **HOT** water faucet, tighten by hand, then tighten another 2/3 turn with pliers. Carefully connect the top inlet hose to the **COLD** water faucet, tighten by hand, then tighten another 2/3 turn with pliers.

**CAUTION: DO NOT CROSS THREAD OR OVERTIGHTEN THESE CONNECTIONS.**

Turn the water on and check for leaks at both connections.

- 13B** Place formed end of drain hose in drain facility and secure with cable tie (provided in literature package).



**NOTE:** Drain hose MUST be secured to drain facility in all cases.

# Installation Instructions

## CONNECTING TO GAS SUPPLY

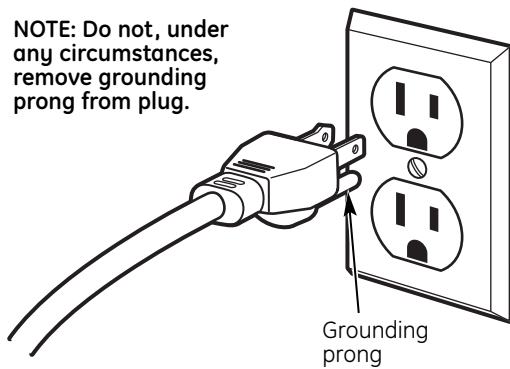
- 14** Connect the gas supply to the dryer. If codes allow, use new flexible metal tubing (design certified by the American Gas Association). Be sure there are no kinks. For gas connections, you **MUST** use pipe joint compound resistant to the action of LP gas.

**CAUTION: Be sure electricity is OFF at power supply source (circuit breaker/fuse box).**

- 14A** Plug power cord into electrical outlet.

**IMPORTANT:** 120 volt 60 hz AC only electrical supply is required on a separate 15 ampere circuit fused by a time delay fuse or circuit breaker.

**NOTE: Do not, under any circumstances, remove grounding prong from plug.**



## FINAL APPLIANCE LEVELING

**CAUTION: ALL WEIGHT MUST BE REMOVED FROM APPLIANCE LEVELING LEG WHILE ADJUSTING. THREADS ON LEG WILL BE DAMAGED OTHERWISE.**

- 15** Again, make sure the appliance rests firmly on all four legs. No rocking of the appliance should exist.

## CHECKING APPLIANCE OPERATION

- 16** Make sure all packing and shipping materials are removed, including the washer shipping bolt and plastic spacer block.
- 17** Make sure the drain hose is properly routed—not coiled or kinked.
- 17A** Make sure water inlet hoses are connected (HOT to HOT) and tightened securely without kinks. Turn on water faucets and check for leaks.
- 17B** Tape all joints to make sure exhaust ductwork is secured without leaks.
- 17C** Turn on electricity at the power source.
- 17D** Turn on the washer and dryer and run through one cycle. Check all hoses for leaks. Ensure the burner has lit.

**NOTE:** Before the burner will light, it is necessary for the gas line to be bled of air. If the burner does not light within 45 seconds the first time the dryer is turned on, the safety switch will shut off the burner. If this happens, turn the timer to "OFF" and wait 5 minutes before making another attempt to light.

## REPLACING FRONT ACCESS PANEL

- 18** Reinstall the safety cover and front access panel.
- 19** Place the Owner's Manual and Installation Instructions in a location where they can be found by the customer.

# Installation Instructions

## PLUMBING INFORMATION

### WATER SUPPLY REQUIREMENTS

- **HOT AND COLD WATER FAUCETS** – Must be within 42” of the appliance water inlet hose connections. The faucets must be 3/4” garden hose-type so inlet hoses can be connected.
- **WATER PRESSURE** – Must be between 10 and 120 pounds per square inch with a maximum unbalance pressure, hot vs cold flowing, of 10 pounds per square inch.
- **SHUT-OFF VALVES** – Both hot and cold water shut-off valves (faucets) should be supplied.
- **LOCATION** – Do not install appliance in an area where the temperature will fall below freezing. If appliance is stored or transported in freezing temperatures, be sure all water from the fill and drain systems has been removed.

### DRAIN REQUIREMENTS

- **DRAIN RATE** – The drain or standpipe must be capable of accepting a discharge at the rate of 16 gallons per minute.
- **DRAIN HEIGHT** – The drain height must be 33” minimum and 96” maximum.
- **STANDPIPE DIAMETER** – The standpipe diameter must be 1” minimum. There **MUST** be an air gap around the drain hose in the standpipe. A snug fit can cause a siphoning action.
- **SIPHON BREAK KIT** – For a drain facility less than 33” high, the hose, coupling and clamps provided in the machine must be used and, in addition, a siphon break **MUST** be installed on the back of the machine. Use Siphon Break Kit WH49X228 and **FOLLOW INSTRUCTIONS IN THE KIT.**

## ELECTRICAL CONNECTION INFORMATION

### CAUTION:

**For personal safety:**

**TURN OFF ELECTRICITY AT POWER SOURCE (CIRCUIT BREAKER/FUSE BOX) BEFORE INSTALLING OR SERVICING THIS APPLIANCE.**

**DO NOT USE AN EXTENSION CORD WITH THIS APPLIANCE.**

**THIS APPLIANCE MUST BE PROPERLY GROUNDED.**

This appliance must be electrically grounded in accordance with local codes and ordinances, or in the absence of local codes, in accordance with the NATIONAL ELECTRICAL CODE, ANSI/NFPA NO. 70-1987.

### ELECTRICAL REQUIREMENTS

- This appliance should be connected to an individual branch circuit with 120 volt single-phase 60 Hz electrical service and should be protected by 15 amp. time-delay fuses or circuit breakers.

# Installation Instructions

## GAS CONNECTION INFORMATION

### CAUTION:

**Do not attempt to alter gas orifice or adjust burner air shutter.** Natural gas input may vary in some areas from 700 to 1200 B.T.U. per cubic foot. If the gas orifice or burner air shutter is incorrectly adjusted, serious personal injury and/or fire hazard can occur. Your local gas company will know the qualities of the gas in your area. **Contact your local servicing dealer if burner adjustment or orifice changes are necessary.**

**Do not use an open flame for leak testing.** Serious personal injury and/or a fire hazard can result if an open flame is used to test for gas leaks. **Use a soap and water solution to test all gas line fittings.**

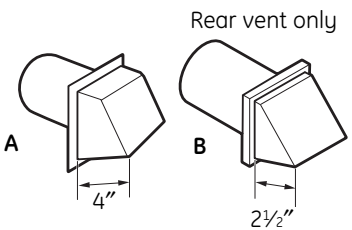
**Do not install the Laundry Center to an L.P. gas supply without installing conversion kit.** All Laundry Centers are shipped with a pressure regulator and natural gas orifice. Using a natural gas orifice with an L.P. gas supply can result in personal injury, clothes damage and/or a fire hazard. **Have a qualified gas technician install a conversion kit in the Laundry Center before use.**

- Installation must meet American National Standard, National Fuel Gas Code ANSI Z 223 1—1988 and local codes and ordinances.
- The gas supply line should be a 1/2" pipe. A 1/2" to 3/8" reducer must be used to connect the dryer to the supply line.
- The gas supply line must have a shut-off valve preferably within six feet of the dryer.
- A 1/8" NPT plugged tapping, accessible for test gauge connection, must be installed immediately upstream of the gas supply connection.

## EXHAUST

### EXHAUST DUCT LENGTH INFORMATION

- The MAXIMUM ALLOWABLE length of the exhaust system depends upon the type of duct, number of turns, the type of exhaust hood (wall cap) and all conditions noted below. The maximum allowable length for both rigid and flexible metal is shown in the table below. More than three 90° turns are not recommended.



NUMBER OF 90° TURNS	EXHAUST HOOD TYPE		
	A	B	
0	46 ft.	37 ft.	Maximum length of 4" diameter rigid metal duct
1	38 ft.	30 ft.	
2	31 ft.	22 ft.	
3	24 ft.	15 ft.	
0	30 ft.	24 ft.	Maximum length of 4" diameter flexible metal duct
1	25 ft.	20 ft.	
2	20 ft.	14 ft.	
3	16 ft.	10 ft.	

### HOOD OR WALL CAP

- Terminate in a manner to prevent back drafts or entry of birds or other wildlife.
- Termination should present minimal resistance to the exhaust airflow and should require little or no maintenance to prevent clogging.
- Never install a screen over the exhaust duct.
- Wall caps must be installed at least 12" above ground level or any other obstruction with the opening pointed down.
- If roof vents or louvered plenums are used, they must be equivalent to a 4" dampered wall cap in regard to resistance to airflow, prevention of back drafts and maintenance required to prevent clogging.

### TURNS OTHER THAN 90°

- One turn of 45° or less may be ignored.
- Two 45° turns should be treated as one 90°.

# Installation Instructions

## EXHAUST (CONT.)

### SEALING OF JOINTS

- All joints should be tight to avoid leaks.

**NOTE:** The male end of each section of duct must point away from the dryer.

- Do not assemble ductwork with fasteners that extend into the duct. They will serve as a collection point for lint.
- Duct joints can be made air- and moisture-tight by wrapping the overlapped joints with duct tape.

### INSULATION

- Ductwork that runs through an unheated area or is near an air conditioning duct should be insulated to reduce condensation and lint buildup.

### PARTS AVAILABLE FROM LOCAL SERVICE ORGANIZATIONS

- Rigid Metal Duct Components

WX8X63	4" x 1' Duct
WX8X64	4" x 2' Duct
WX8X51	4" Elbow
WX8X59	4" Aluminum Hood

- Flexible Metal Duct Components

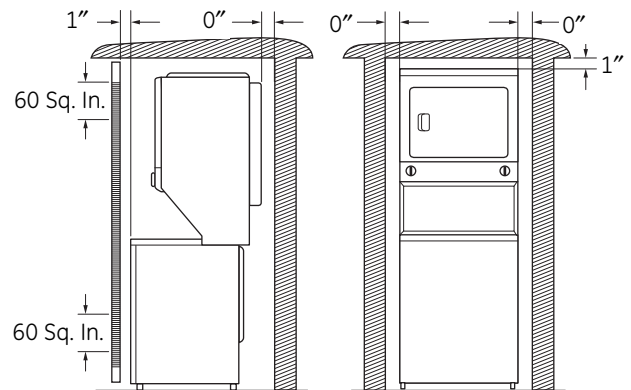
Kit WX8X66	—7' Aluminum duct, 4" hood and 2 clamps
WX8X65	7' Aluminum Flexible Duct
WX8X58	4" Clamps (2)
WX8X59	4" Aluminum Hood

## MOBILE HOME INSTALLATION

- Installation must conform to Manufactured Home Construction and Safety Standard, Title 24 CFR, Part 32-80.
- The dryer must be exhausted to the outside with the termination securely fastened to the mobile home structure.
- The exhaust MUST NOT be terminated beneath the mobile home.
- The exhaust duct material MUST NOT support combustion.

CONSIDERATION MUST BE GIVEN TO PROVIDE ADEQUATE CLEARANCES FOR INSTALLATION AND SERVICE.

## ALCOVE OR CLOSET INSTALLATION



- If your dryer is approved for installation in an alcove or closet, it will be stated on a label on the back of the dryer.
- TO PREVENT LARGE AMOUNTS OF LINT AND MOISTURE FROM ACCUMULATING AND TO MAINTAIN DRYING EFFICIENCY, THIS MACHINE MUST BE EXHAUSTED OUTDOORS.
- DO NOT install this appliance with less than the minimum clearances shown above.

CONSIDERATION MUST BE GIVEN TO PROVIDE ADEQUATE CLEARANCES FOR INSTALLATION AND SERVICE.

**CAUTION:** DO NOT INSTALL THIS APPLIANCE IN A CLOSET WITH A SOLID DOOR.

# Installation Instructions

## **⚠ WARNING –**

For your safety, the information in this manual must be followed to minimize the risk of fire or explosion or to prevent property damage, personal injury or loss of life.

- Do not store or use gasoline or other flammable vapors and liquids in the vicinity of this or any other appliance.
- **WHAT TO DO IF YOU SMELL GAS**
  - Do not try to light any appliance.
  - Do not touch any electrical switch; do not use any phone in your building.
  - Clear the room, building or area of all occupants.
  - Immediately call your gas supplier from a neighbor's phone. Follow the gas supplier's instructions.
  - If you cannot reach your gas supplier, call the fire department.

Installation and service must be performed by a qualified installer, a service agency or the gas supplier.

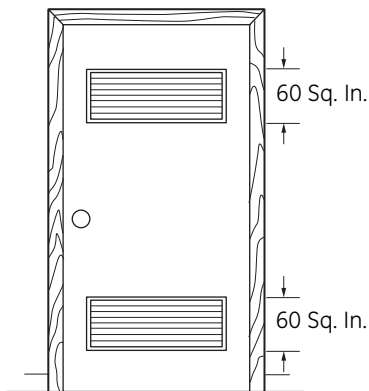
## **MISCELLANEOUS REQUIREMENTS**

### **LOCATION**

- The appliance must be installed on firm flooring to minimize vibration during spin cycles. Concrete flooring is best; but wood base is sufficient, providing the floor support meets FHA standards.
- The appliance should not be installed on rugs or exposed to the weather.

## **DOOR VENTILATION OPENING**

A minimum of 120 square inches of opening, equally divided at top and bottom, is required. Air openings are required to be unobstructed when a door is installed. A louvered door with equivalent air openings for the full length of the door is acceptable.



When louvers or registers are placed in door openings, the free air openings of the louvers or registers must equal 120 square inches.